

SUMMIT

**JBoss
WORLD**

PRESENTED BY RED HAT

**LEARN. NETWORK.
EXPERIENCE OPEN SOURCE.**



Clustering JBoss EAP 6

Bruce Wolfe

Curriculum Manager, Red Hat

06.27.12

SUMMIT

JBoss
WORLD

PRESENTED BY RED HAT



Clustering JBoss EAP 6 – Roadmap

- Quick Overview of EAP 6
- Standalone vs. Domain Mode
- Start the Domain Controller
- Configure host1
- Configure host2
- Deploy a Distributable Application
- Configure a Load Balancer

SUMMIT

JBoss
WORLD

PRESENTED BY RED HAT



Clustering JBoss EAP 6 – Overview

- JBoss Enterprise Application Platform (EAP) is an application server that supports Java EE 6.
- There are currently two Java EE 6 profiles implemented by EAP 6:
 - Full Profile
 - Web Profile



Clustering JBoss EAP 6 – Overview

- Blazing Speed
- Single Configuration File
- Lightweight
- Modular
- New Management Tools
 - Administration Console - web-based
 - Command-line Interface (CLI)
- All management tools are always in sync.



Clustering JBoss EAP 6 – Roadmap

- Quick Overview of EAP 6
- Standalone vs. Domain Mode
- Start the Domain Controller
- Configure host1
- Configure host2
- Deploy a Distributable Application
- Configure a Load Balancer

SUMMIT

JBoss
WORLD

PRESENTED BY RED HAT

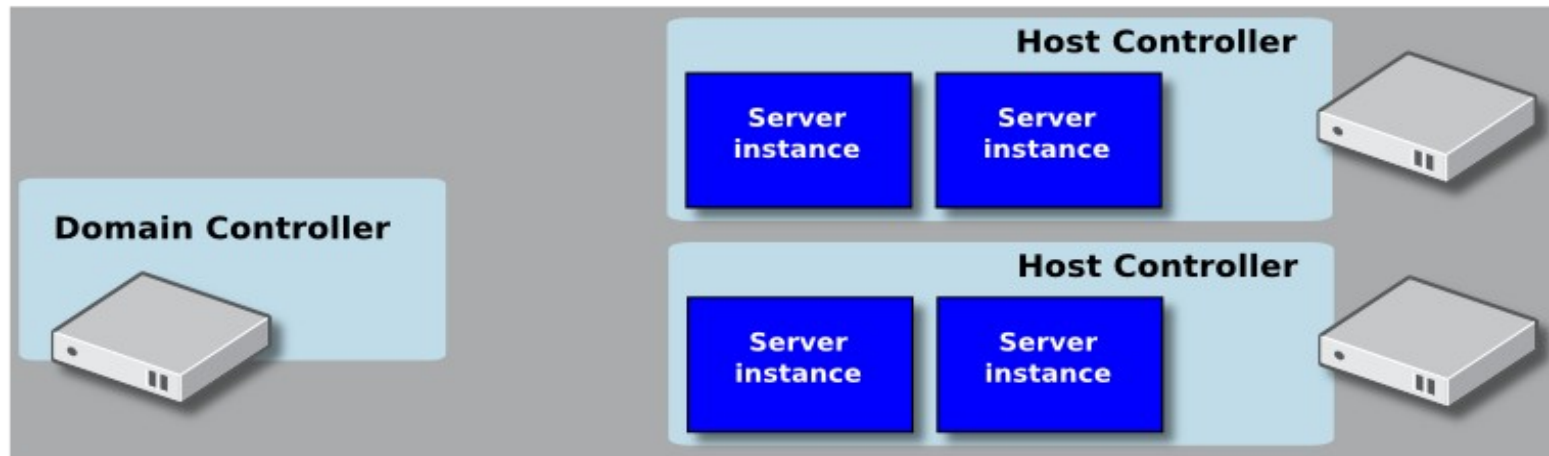


Clustering JBoss EAP 6 – Standalone vs. Domain

Standalone Mode



Domain Mode



SUMMIT

JBoss
WORLD

PRESENTED BY RED HAT



Clustering JBoss EAP 6 – Standalone vs. Domain

- Decide based on Server Management requirements.
- Mode does not impact:
 - Clustering
 - High Availability
 - Failover
 - Java EE Services/Technologies
- Domain mode provides multi-server management and configuration.



Clustering JBoss EAP 6 – Domain Mode & Clustering

- Domain Mode != Clustering
- A Server Group in a Domain does not need to be clustered.
- A collection of Standalone Servers can be clustered.



Clustering JBoss EAP 6 – Roadmap

- Quick Overview of EAP 6
- Standalone vs. Domain Mode
- Start the Domain Controller
- Configure host1
- Configure host2
- Deploy a Distributable Application
- Configure a Load Balancer

SUMMIT

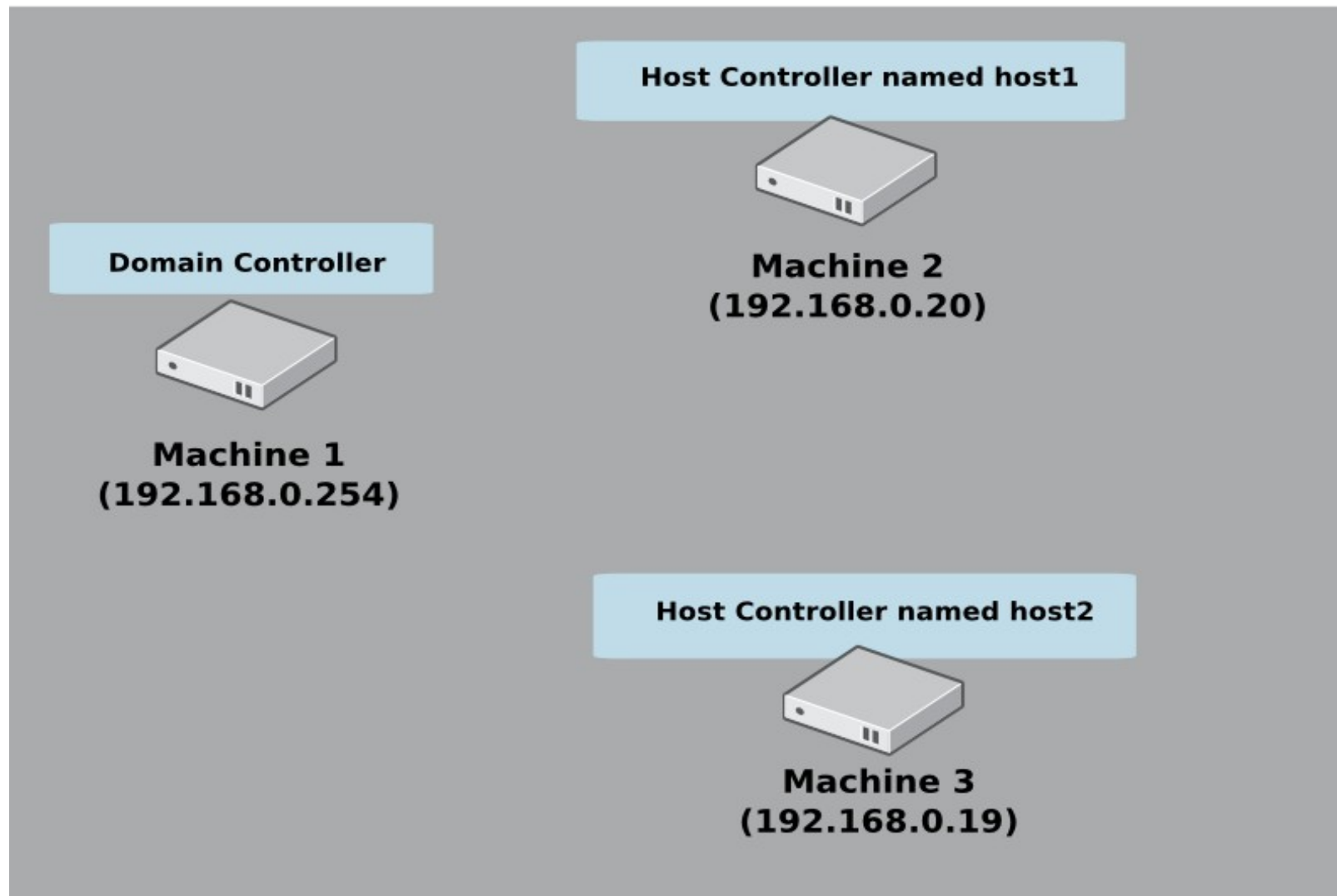
JBoss
WORLD

PRESENTED BY RED HAT



Clustering JBoss EAP 6 – Physical Topology

Physical Server Topology



SUMMIT

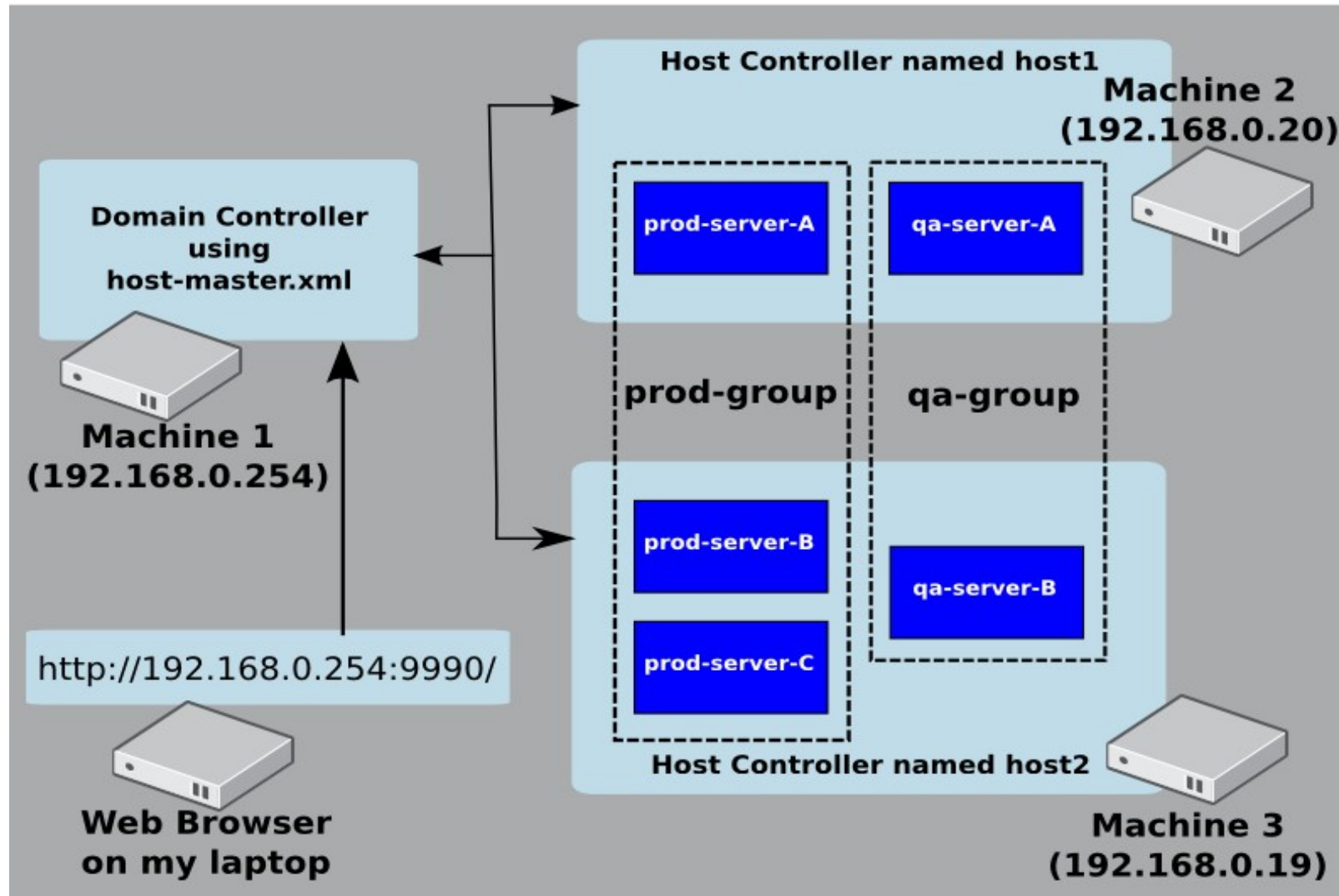
JBoss
WORLD

PRESENTED BY RED HAT



Clustering JBoss EAP 6 – Cluster Topology

Domain Topology



SUMMIT

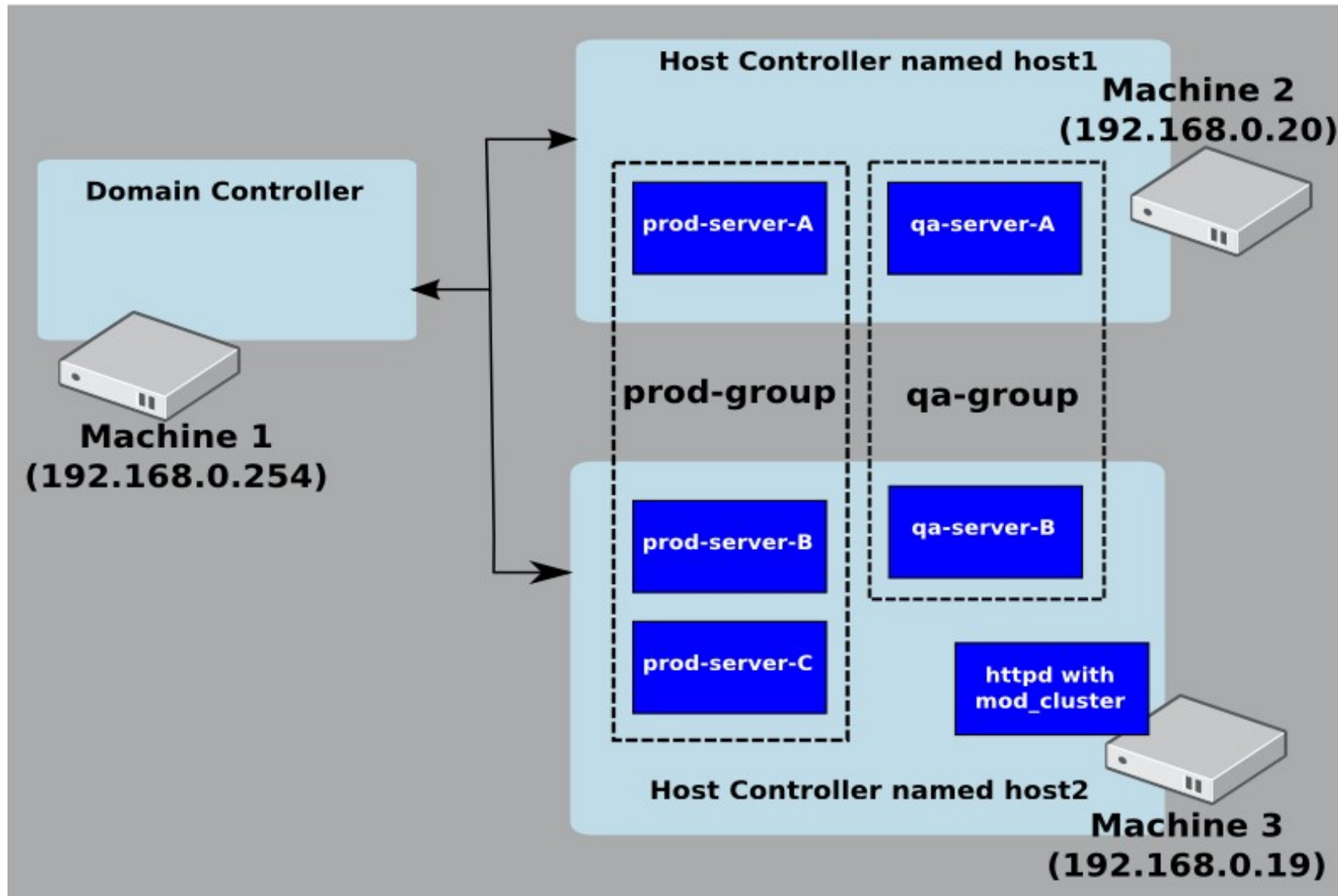
**JBoss
WORLD**

PRESENTED BY RED HAT



Clustering JBoss EAP 6 – Final Topology

Clustered, Load Balanced Domain



SUMMIT

JBoss
WORLD

PRESENTED BY RED HAT



LIKE US ON FACEBOOK

www.facebook.com/redhatinc

FOLLOW US ON TWITTER

www.twitter.com/redhatsummit

TWEET ABOUT IT

#redhat

READ THE BLOG

summitblog.redhat.com

GIVE US FEEDBACK

www.redhat.com/summit/survey

SUMMIT

**JBoss
WORLD**

PRESENTED BY RED HAT



SUMMIT

**JBoss
WORLD**

PRESENTED BY RED HAT

**LEARN. NETWORK.
EXPERIENCE OPEN SOURCE.**



Clustering JBoss EAP 6

Bruce Wolfe
Curriculum Manager, Red Hat
06.27.12

SUMMIT

JBoss
WORLD

PRESENTED BY RED HAT



Clustering JBoss EAP 6 – Roadmap

- Quick Overview of EAP 6
- Standalone vs. Domain Mode
- Start the Domain Controller
- Configure host1
- Configure host2
- Deploy a Distributable Application
- Configure a Load Balancer

SUMMIT

JBoss
WORLD

PRESENTED BY RED HAT



Clustering JBoss EAP 6 – Overview

- JBoss Enterprise Application Platform (EAP) is an application server that supports Java EE 6.
- There are currently two Java EE 6 profiles implemented by EAP 6:
 - Full Profile
 - Web Profile

SUMMIT

JBoss
WORLD

PRESENTED BY RED HAT



Clustering JBoss EAP 6 – Overview

- Blazing Speed
- Single Configuration File
- Lightweight
- Modular
- New Management Tools
 - Administration Console - web-based
 - Command-line Interface (CLI)
- All management tools are always in sync.

SUMMIT

JBoss
WORLD

PRESENTED BY RED HAT



Clustering JBoss EAP 6 – Roadmap

- Quick Overview of EAP 6
- Standalone vs. Domain Mode
- Start the Domain Controller
- Configure host1
- Configure host2
- Deploy a Distributable Application
- Configure a Load Balancer

SUMMIT

JBoss
WORLD

PRESENTED BY RED HAT

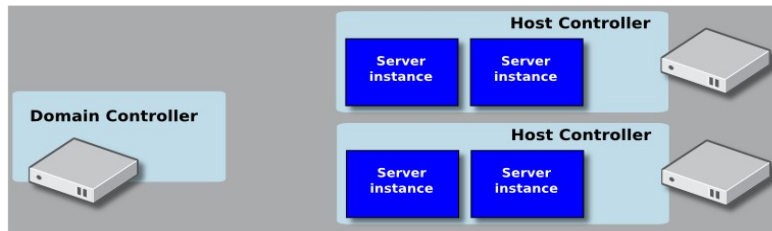


Clustering JBoss EAP 6 – Standalone vs. Domain

Standalone Mode



Domain Mode



SUMMIT

JBoss
WORLD

PRESENTED BY RED HAT



Clustering JBoss EAP 6 – Standalone vs. Domain

- Decide based on Server Management requirements.
- Mode does not impact:
 - Clustering
 - High Availability
 - Failover
 - Java EE Services/Technologies
- Domain mode provides multi-server management and configuration.

SUMMIT

JBoss
WORLD

PRESENTED BY RED HAT



Clustering JBoss EAP 6 – Domain Mode & Clustering

- Domain Mode != Clustering
- A Server Group in a Domain does not need to be clustered.
- A collection of Standalone Servers can be clustered.

SUMMIT

JBoss
WORLD

PRESENTED BY RED HAT



Clustering JBoss EAP 6 – Roadmap

- Quick Overview of EAP 6
- Standalone vs. Domain Mode
- Start the Domain Controller
- Configure host1
- Configure host2
- Deploy a Distributable Application
- Configure a Load Balancer

SUMMIT

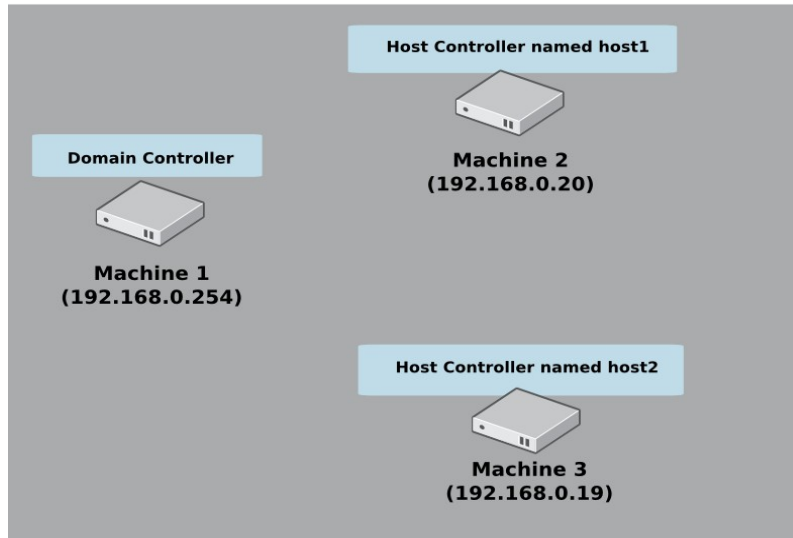
JBoss
WORLD

PRESENTED BY RED HAT



Clustering JBoss EAP 6 – Physical Topology

Physical Server Topology



SUMMIT

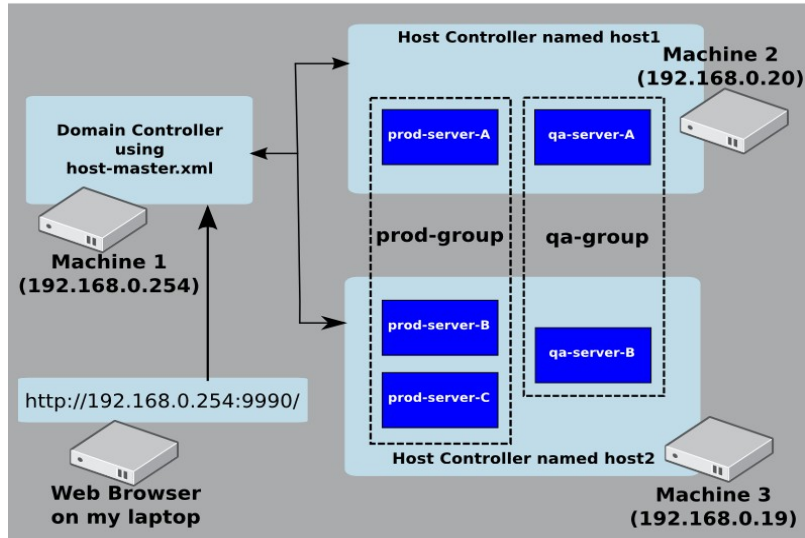
JBoss
WORLD

PRESENTED BY RED HAT



Clustering JBoss EAP 6 – Cluster Topology

Domain Topology



SUMMIT

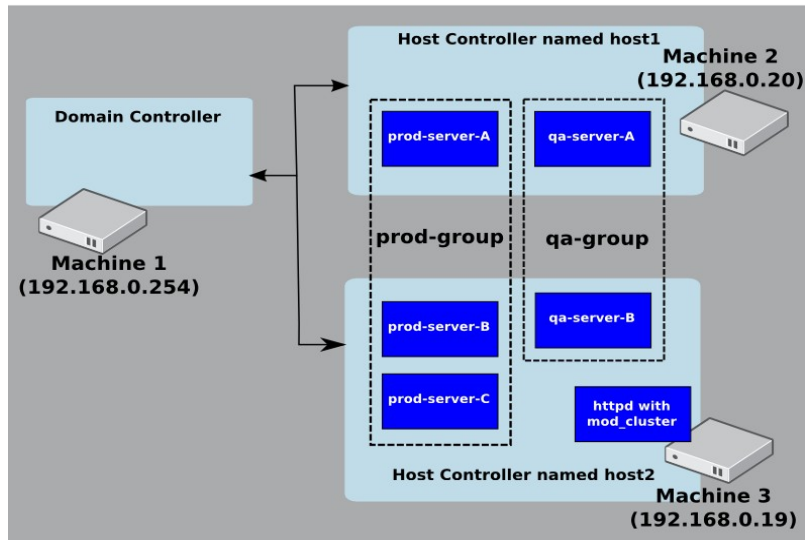
JBoss
WORLD

PRESENTED BY RED HAT



Clustering JBoss EAP 6 – Final Topology

Clustered, Load Balanced Domain



SUMMIT

JBoss
WORLD

PRESENTED BY RED HAT



LIKE US ON FACEBOOK

www.facebook.com/redhatinc

FOLLOW US ON TWITTER

www.twitter.com/redhatsummit

TWEET ABOUT IT

#redhat

READ THE BLOG

summitblog.redhat.com

GIVE US FEEDBACK

www.redhat.com/summit/survey

SUMMIT

JBoss
WORLD

PRESENTED BY RED HAT

