

SUMMIT

**JBoss
WORLD**

PRESENTED BY RED HAT

**LEARN. NETWORK.
EXPERIENCE OPEN SOURCE.**

www.theredhatsummit.com

Converting VMware & Xen Virtual Machines with virt-v2v

Matthew Booth, mbooth@redhat.com
Senior Software Engineer, Red Hat
June 24, 2010

SUMMIT

JBoss
WORLD

PRESENTED BY RED HAT



What is virt-v2v?

A command-line tool to manage virtual machine conversions.



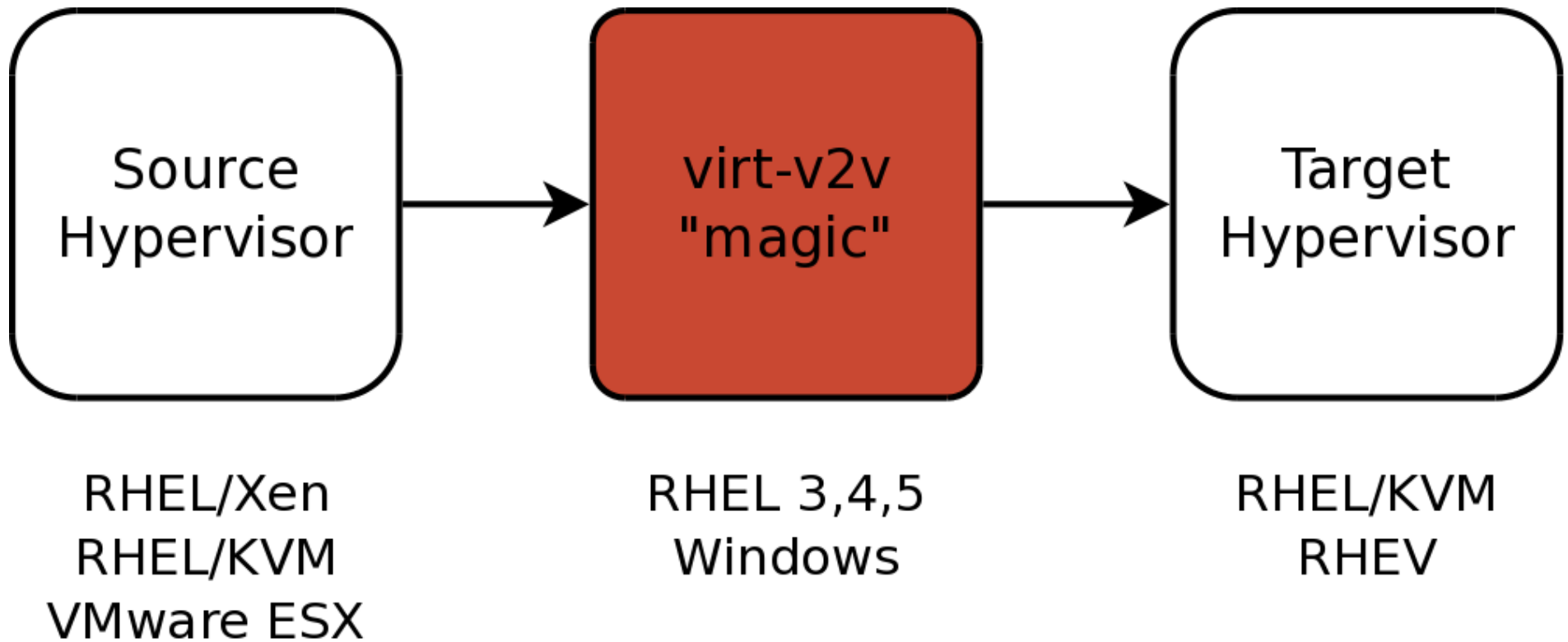
SUMMIT

JBoss
WORLD

PRESENTED BY RED HAT



What does virt-v2v support?



SUMMIT

JBoss
WORLD

PRESENTED BY RED HAT



How is virt-v2v deployed?

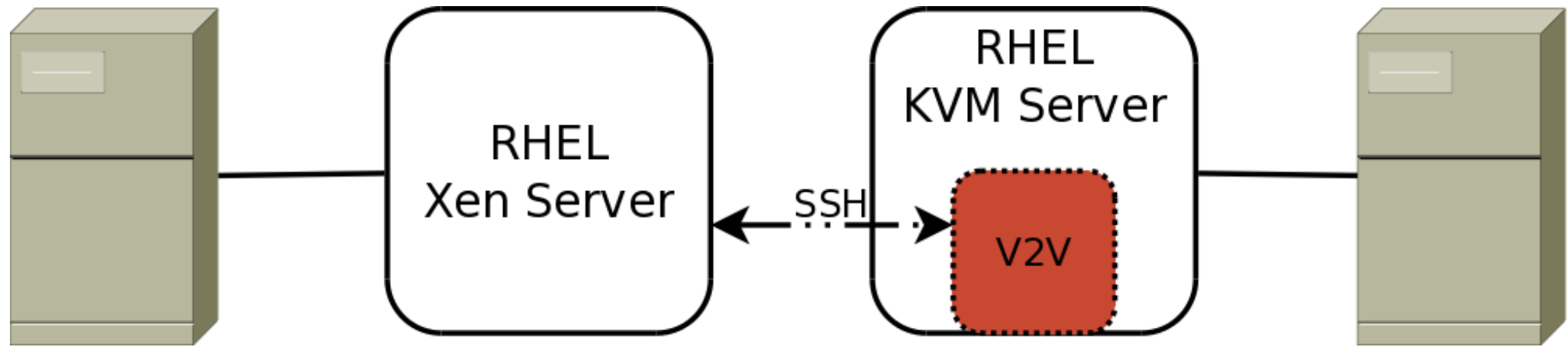
SUMMIT

**JBoss
WORLD**

PRESENTED BY RED HAT



Scenario 1 – RHEL Xen to RHEL KVM



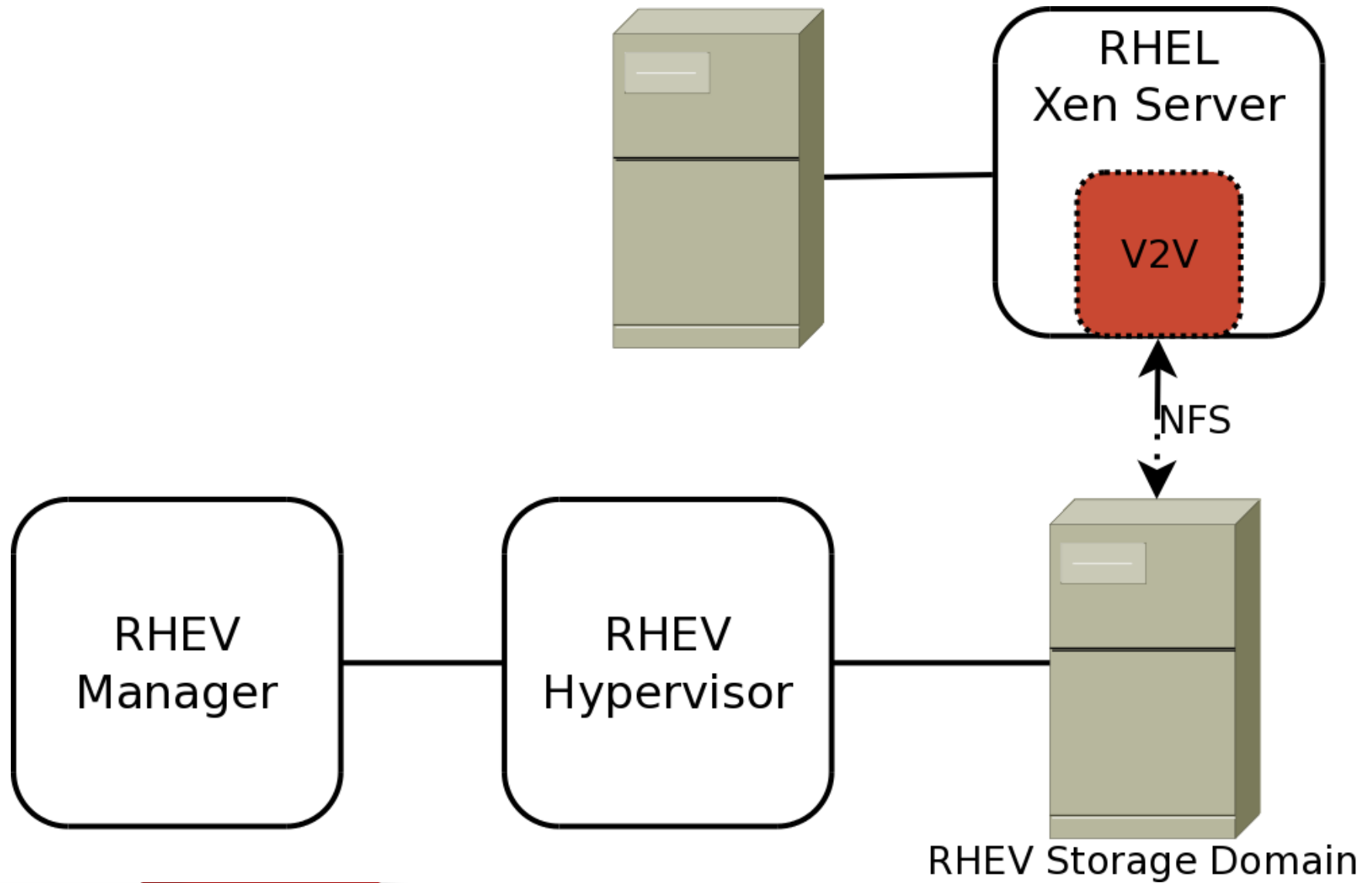
SUMMIT

JBoss
WORLD

PRESENTED BY RED HAT



Scenario 2 – RHEL Xen to RHEV



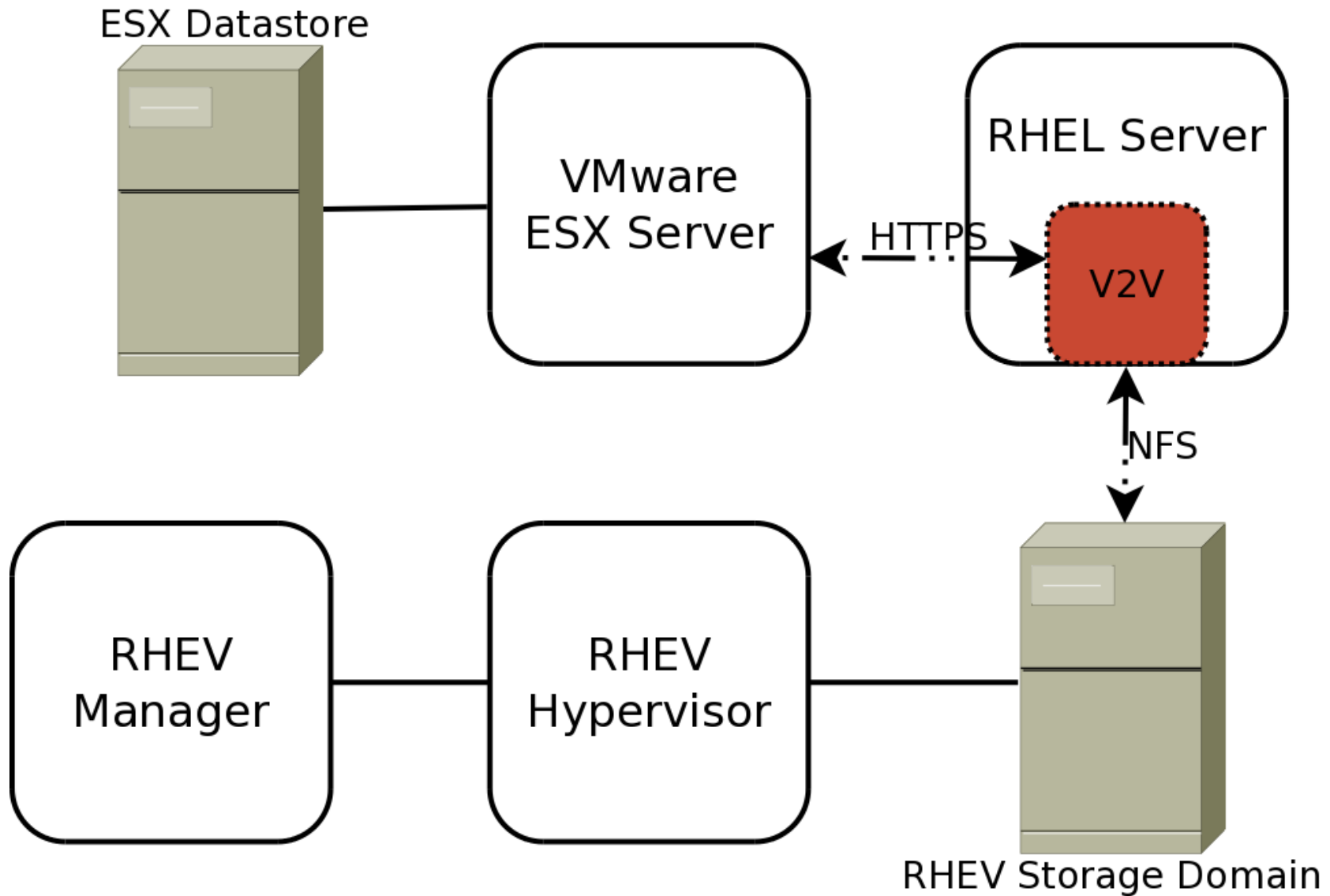
SUMMIT

JBoss
WORLD

PRESENTED BY RED HAT



Scenario 3 – VMware ESX to RHEV



SUMMIT

JBoss
WORLD

PRESENTED BY RED HAT



Shut down the virtual machine

SUMMIT

**JBoss
WORLD**

PRESENTED BY RED HAT



yellow.rhev.marston - VMware Infrastructure Client

RHEL5-64 on yellow.rhev.marston

File View VM

Connect Floppy 1 Connect CD/DVD 1

Applications Places System 2:54 PM

redhat.com | The World's Open Source Leader - Mozilla Firefox

File Edit View History Bookmarks Tools Help

http://www.redhat.com/

Most Visited Red Hat Red Hat Magazine Red Hat Network Red Hat Support

United States (change) Downloads Fedora Red Hat Network Cart Register Log In

redhat

Services & Products

Shut down this system now?

This system will be automatically shut down in 60 seconds.

Hibernate Restart Cancel Shut Down

RED HAT STARTER PACK

START SMART BY OPTIMIZING YOUR INFRASTRUCTURE & TEAM EXPERTISE

LEARN MORE

Learn more about Red Hat Enterprise Virtualization

Limited time offer: Red Hat Starter Pack bundle

Recent News: 5/18/10: Fedora 13 Propels Open Source Innovation

Done

redhat.com | The World's Open Source Leader - Mozilla Firefox

To release cursor, press CTRL + ALT

Tasks

Start yellow.rhev.marston - V... RHEL5-64 on yellow.r... Search Desktop 14:54

SUMMIT JBoss WORLD

PRESENTED BY RED HAT



Run virt-v2v

SUMMIT

**JBoss
WORLD**

PRESENTED BY RED HAT



```
[root@t500 /]# virt-v2v -ic esx://yellow.rhev.marston/?no_verify=1 -o rhev -osd blue.rhev.marston:/nfs/export --network rhevm RHEL5-64
** HEAD https://yellow.rhev.marston/folder/RHEL5-64/RHEL5-64_1-flat.vmdk?dcPath=ha-datacenter&dsName=yellow%3Astorage1 ==> 401 Unauthorized
** HEAD https://yellow.rhev.marston/folder/RHEL5-64/RHEL5-64_1-flat.vmdk?dcPath=ha-datacenter&dsName=yellow%3Astorage1 ==> 200 OK
** GET https://yellow.rhev.marston/folder/RHEL5-64/RHEL5-64_1-flat.vmdk?dcPath=ha-datacenter&dsName=yellow%3Astorage1 ==> 200 OK (330s)
virt-v2v: RHEL5-64 configured with virtio drivers
[root@t500 /]# █
```

I

SUMMIT

**JBoss
WORLD**

PRESENTED BY RED HAT



Import the virtual machine

SUMMIT

**JBoss
WORLD**

PRESENTED BY RED HAT



| Name | Type | Cross Data-Center Status | Avail. |
|-------------|---------------|--------------------------|--------|
| blue_data | Data (Master) | Active | 96 GB |
| blue_export | Export | Active | 38 GB |
| blue_media | ISO | Active | 198 GB |

| Name | Origin | Memory | CPUs | Disks | Creation Date | Installed Applications |
|----------|--------|---------|------|-------|---------------|------------------------|
| RHEL5-64 | RHEV | 1024 MB | 1 | 1 | Jun 11, 11:15 | |

Conclusion

- Manage the whole conversion process
- Convert RHEL/Windows virtual machines
- Convert Xen/KVM/ESX to RHEL or RHEV
- Available in a child channel of RHEL 5 with a RHEV subscription
- Will be available in RHEL 6
- Open Source: available in Fedora

