



Centro di Eccellenza per
l'Ingegneria dell'Informazione,
della Comunicazione e della Percezione

Network QoS Guarantees for Virtual Machines

Dhaval Giani, Tommaso Cucinotta, Dario Faggioli

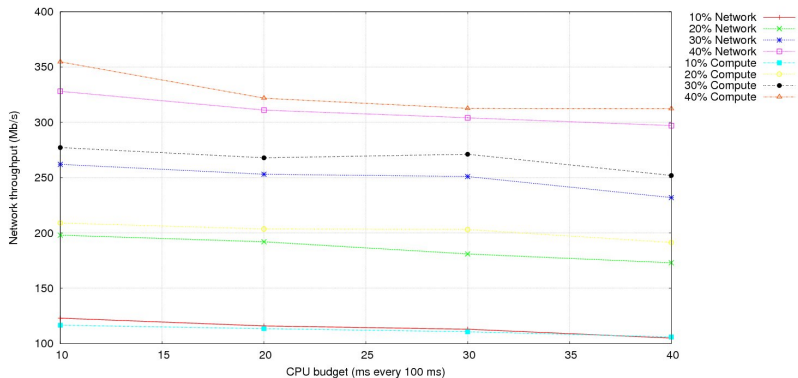
Linux Plumbers Conference
Cambridge, MA
November 2nd to 5th, 2010



Aim to provide some QoS guarantee both in terms of networking throughput and latency

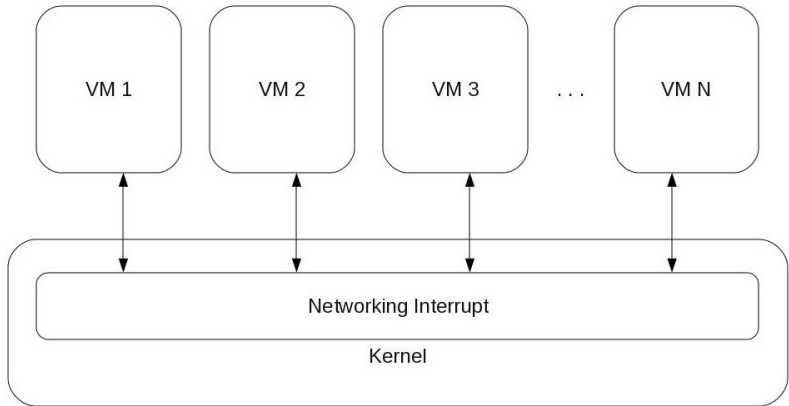


A graph



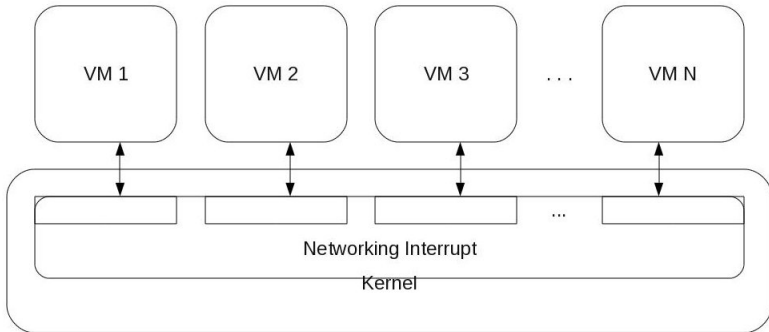


Currently





Proposal





Proposals - II

- ▶ Using a non-standard CPU scheduler for now





Proposals - II

- ▶ Using a non-standard CPU scheduler for now
 - ▶ Currently being pushed to be merged!





Proposals - II

- ▶ Using a non-standard CPU scheduler for now
 - ▶ Currently being pushed to be merged!
- ▶ Scheduler provides for the ability to give a runtime every refresh period





Proposals - II

- ▶ Using a non-standard CPU scheduler for now
 - ▶ Currently being pushed to be merged!
- ▶ Scheduler provides for the ability to give a runtime every refresh period
- ▶ Importantly, processes run at real time priority





Proposals - II

- ▶ Using a non-standard CPU scheduler for now
 - ▶ Currently being pushed to be merged!
- ▶ Scheduler provides for the ability to give a runtime every refresh period
- ▶ Importantly, processes run at real time priority
 - ▶ Still safe, runtime/period bounds the amount of CPU used





Proposals - II

- ▶ Using a non-standard CPU scheduler for now
 - ▶ Currently being pushed to be merged!
- ▶ Scheduler provides for the ability to give a runtime every refresh period
- ▶ Importantly, processes run at real time priority
 - ▶ Still safe, runtime/period bounds the amount of CPU used
- ▶ Interrupt threads put in their own reservations



Discussion! :)



thank you!

d.giani@sssup.it

